
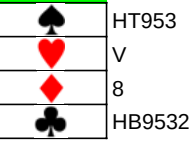
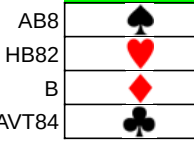

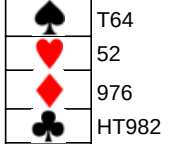


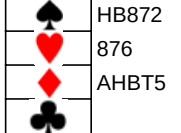

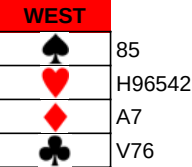
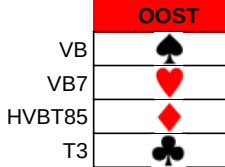



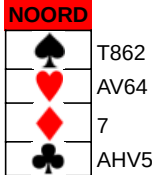
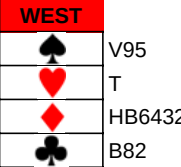
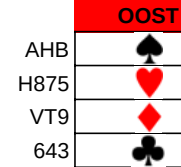

| | | | | | |
|---|--|---|--|-------------------|--|
| bridgethuis@gmail.com | | Gever BridgeBox16 | | SPEL 1 | |
| | | NOORD | | RONDE N018 | |
| | |  | | BOX 6 | |
| WEST | | OOST | | N 4 | |
|  | |  | | Z 11 | |
| | | | | 15 | |
| | | | | O 16 | |
| | | | | W 9 | |
| | | | | 25 | |
| | | ZUID | | SPEL 1 | |
| | |  | | | |

| | | | | | |
|---|--|---|--|-------------------|--|
| bridgethuis@gmail.com | | Gever BridgeBox16 | | SPEL 2 | |
| | | NOORD | | RONDE N018 | |
| | |  | | BOX 6 | |
| WEST | | OOST | | N 3 | |
|  | |  | | Z 12 | |
| | | | | 15 | |
| | | | | O 16 | |
| | | | | W 9 | |
| | | | | 25 | |
| | | ZUID | | SPEL 2 | |
| | |  | | | |

| SPEL | SCORE | BridgeBox16 | | RONDE | BOX |
|---|---|----------------|------|-------------|----------|
| 1 | 2020 © BridgeBox16 www.bridgethuis.info | | | N018 | 6 |
| Contract - Wie - Uitkomst - Resultaat | | Noord | Zuid | Fase | |
| Tafel 1. 4KL+1, Oost,Ru A, -150ptn, 72,22%, 27,78% | Rob-Jaap | Chris-Ineke | A | | |
| Tafel 2. 4Sch C, West,KL 7, -420ptn, 38,89%, 61,11% | Kees-Coby | Luci-Martha | A | | |
| Tafel 3. 4Sch+1, West,Ru V, -450ptn, 11,11%, 88,89% | Ellen-Hermien | Nell-Thijs | A | | |
| Tafel 4. 5Sch C, West,Ru V, -450ptn, 11,11%, 88,89% | Toos1-Riet | Toos2-Engeline | A | | |
| Tafel 5. 5KLX-1, Oost,Ha A, 100ptn, 100%, 0% | Hans-Yolande | Noortje-Cees | A | | |
| Tafel 1. 4Sch+1, West,Ru V, -450ptn, 22,22%, 77,78% | Chris-Luc | Bert-Ineke | B | | |
| Tafel 2. 4Sch C, West,Ru V, -420ptn, 55,56%, 44,44% | Martin-Marijn | Hanneke-Cock | B | | |
| Tafel 3. 6RuX-4, Zuid,Sch 3, -800ptn, 0%, 100% | Willy-Tonny | NellC-ThijsC | B | | |
| Tafel 4. 5KL C, Oost,Ru A, -400ptn, 77,78%, 22,22% | Loek-KeesL | Peter-Kees | B | | |
| Tafel 5. 4Sch C, West,Ru V, -420ptn, 55,56%, 44,44% | Coen-Betske | Jan-Adri | B | | |

| SPEL | SCORE | BridgeBox16 | | RONDE | BOX |
|---|---|----------------|------|-------------|----------|
| 2 | 2020 © BridgeBox16 www.bridgethuis.info | | | N018 | 6 |
| Contract - Wie - Uitkomst - Resultaat | | Noord | Zuid | Fase | |
| Tafel 1. 1Sa C, West,Sch 10, -90ptn, 33,33%, 66,67% | Rob-Jaap | Chris-Ineke | A | | |
| Tafel 2. 3Ha C, Oost,Ru A, -140ptn, 11,11%, 88,89% | Kees-Coby | Luci-Martha | A | | |
| Tafel 3. 4Ha-2, Oost,Ru A, 100ptn, 83,33%, 16,67% | Ellen-Hermien | Nell-Thijs | A | | |
| Tafel 4. 1Sa+2, Noord,Ha 3, 150ptn, 100%, 0% | Toos1-Riet | Toos2-Engeline | A | | |
| Tafel 5. 2Ha+1, Oost,Ru A, -140ptn, 11,11%, 88,89% | Hans-Yolande | Noortje-Cees | A | | |
| Tafel 1. 3Ha-1, Oost,Ru A, 50ptn, 50%, 50% | Chris-Luc | Bert-Ineke | B | | |
| Tafel 2. 2Ha C, Oost,Ru A, -110ptn, 22,22%, 77,78% | Martin-Marijn | Hanneke-Cock | B | | |
| Tafel 3. 4Ha-1, Oost,Ru A, 50ptn, 50%, 50% | Willy-Tonny | NellC-ThijsC | B | | |
| Tafel 4. 4Ha-2, Oost,Ru A, 100ptn, 77,78%, 22,22% | Loek-KeesL | Peter-Kees | B | | |
| Tafel 5. 4Ha-2, Oost,Ru A, 100ptn, 77,78%, 22,22% | Coen-Betske | Jan-Adri | B | | |

| | | | | | | | | | | | | | | | | | |
|---|----|---|--|---|------|---|---|---|----|----|--|---|----|---|---|----|--|
| bridgethuis@gmail.com | | BridgeBox16 | | SPEL | 3 | | | | | | | | | | | | |
| | | NOORD | | RONDE | N018 | | | | | | | | | | | | |
| | |  | | BOX | 6 | | | | | | | | | | | | |
| WEST | | OOST | | <table border="1"> <tr><td>N</td><td>4</td></tr> <tr><td>Z</td><td>15</td></tr> <tr><td colspan="2">19</td></tr> <tr><td>O</td><td>12</td></tr> <tr><td>W</td><td>9</td></tr> <tr><td colspan="2">21</td></tr> </table> | | N | 4 | Z | 15 | 19 | | O | 12 | W | 9 | 21 | |
| N | 4 | | | | | | | | | | | | | | | | |
| Z | 15 | | | | | | | | | | | | | | | | |
| 19 | | | | | | | | | | | | | | | | | |
| O | 12 | | | | | | | | | | | | | | | | |
| W | 9 | | | | | | | | | | | | | | | | |
| 21 | | | | | | | | | | | | | | | | | |
|  | |  | | SPEL | | | | | | | | | | | | | |
| | | Gever | | 3 | | | | | | | | | | | | | |
| | | ZUID | | | | | | | | | | | | | | | |
| | |  | | | | | | | | | | | | | | | |

| | | | | | | | | | | | | | | | | | |
|---|----|---|--|---|------|---|----|---|---|----|--|---|----|---|---|----|--|
| bridgethuis@gmail.com | | BridgeBox16 | | SPEL | 4 | | | | | | | | | | | | |
| | | NOORD | | RONDE | N018 | | | | | | | | | | | | |
| | |  | | BOX | 6 | | | | | | | | | | | | |
| Gever | | OOST | | <table border="1"> <tr><td>N</td><td>15</td></tr> <tr><td>Z</td><td>5</td></tr> <tr><td colspan="2">20</td></tr> <tr><td>O</td><td>13</td></tr> <tr><td>W</td><td>7</td></tr> <tr><td colspan="2">20</td></tr> </table> | | N | 15 | Z | 5 | 20 | | O | 13 | W | 7 | 20 | |
| N | 15 | | | | | | | | | | | | | | | | |
| Z | 5 | | | | | | | | | | | | | | | | |
| 20 | | | | | | | | | | | | | | | | | |
| O | 13 | | | | | | | | | | | | | | | | |
| W | 7 | | | | | | | | | | | | | | | | |
| 20 | | | | | | | | | | | | | | | | | |
|  | |  | | SPEL | | | | | | | | | | | | | |
| | | ZUID | | 4 | | | | | | | | | | | | | |
| | |  | | | | | | | | | | | | | | | |

| SPEL | SCORE | BridgeBox16 | | RONDE | BOX |
|--|---|----------------|------|-------|-----|
| 3 | 2020 © BridgeBox16 www.bridgethuis.info | N018 | 6 | | |
| Contract - Wie - Uitkomst - Resultaat | | Noord | Zuid | Fase | |
| Tafel 1. 4Ha C, West, Sch 4, -620ptn, 0%, 100% | Rob-Jaap | Chris-Ineke | A | | |
| Tafel 2. 3Sch+1, Zuid, Ru A, 170ptn, 44,44%, 55,56% | Kees-Coby | Luci-Martha | A | | |
| Tafel 3. 3Sch C, Oost, Ha A, -140ptn, 11,11%, 88,89% | Ellen-Hermien | Nell-Thijs | A | | |
| Tafel 4. 5Sch-1, Noord, Ru A, -50ptn, 22,22%, 77,78% | Toos1-Riet | Toos2-Engeline | A | | |
| Tafel 5. 3Sch+2, Zuid, Ru A, 200ptn, 66,67%, 33,33% | Hans-Yolande | Noortje-Cees | A | | |
| Tafel 1. 3Ha+1, West, Sch 9, -170ptn, 16,67%, 83,33% | Chris-Luc | Bert-Ineke | B | | |
| Tafel 2. 1Sa+3, Zuid, Ha 6, 180ptn, 66,67%, 33,33% | Martin-Marijn | Hanneke-Cock | B | | |
| Tafel 3. 3Ha-2, West, Sch 9, 200ptn, 88,89%, 11,11% | Willy-Tonny | NellC-ThijsC | B | | |
| Tafel 4. 4Ha-2, West, KL A, 200ptn, 88,89%, 11,11% | Loek-KeesL | Peter-Kees | B | | |
| Tafel 5. 3Ha+1, West, Sch 9, -170ptn, 16,67%, 83,33% | Coen-Betske | Jan-Adri | B | | |

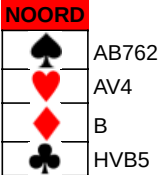
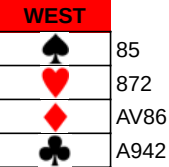


| SPEL | SCORE | BridgeBox16 | | RONDE | BOX |
|---|---|----------------|------|-------|-----|
| 4 | 2020 © BridgeBox16 www.bridgethuis.info | N018 | 6 | | |
| Contract - Wie - Uitkomst - Resultaat | | Noord | Zuid | Fase | |
| Tafel 1. 2Ru C, West, KL A, -90ptn, 11,11%, 88,89% | Rob-Jaap | Chris-Ineke | A | | |
| Tafel 2. 2Ha+1, Zuid, Sch 5, 140ptn, 83,33%, 16,67% | Kees-Coby | Luci-Martha | A | | |
| Tafel 3. 2Ru C, West, KL A, -90ptn, 11,11%, 88,89% | Ellen-Hermien | Nell-Thijs | A | | |
| Tafel 4. 1Ha C, Noord, Sch A, 80ptn, 33,33%, 66,67% | Toos1-Riet | Toos2-Engeline | A | | |
| Tafel 5. 2Ru C, West, KL A, -90ptn, 11,11%, 88,89% | Hans-Yolande | Noortje-Cees | A | | |
| Tafel 1. 3Ru-1, West, KL A, 100ptn, 72,22%, 27,78% | Chris-Luc | Bert-Ineke | B | | |
| Tafel 2. 3Ha-1, Zuid, Ru B, -100ptn, 0%, 100% | Martin-Marijn | Hanneke-Cock | B | | |
| Tafel 3. 3Ru-1, West, KL A, 100ptn, 72,22%, 27,78% | Willy-Tonny | NellC-ThijsC | B | | |
| Tafel 4. 4Ru-2, West, KL A, 200ptn, 100%, 0% | Loek-KeesL | Peter-Kees | B | | |
| Tafel 5. 2Ru C, West, KL A, -90ptn, 27,78%, 72,22% | Coen-Betske | Jan-Adri | B | | |



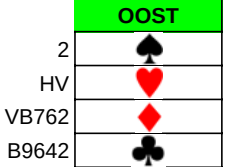
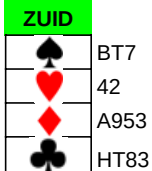
| | | | | | |
|---------------------------|--|--|--|--------------|-------------|
| bridgethuis@gmail.com | | Gever BridgeBox16 | | SPEL | 5 |
| | | NOORD | | RONDE | N018 |
| | | VB5 9653 T63 HT3 | | BOX | 6 |
| WEST | | Gever | | N | 6 |
| T86 AHV AV72 A74 | | OOST A9743 874 H B952 | | Z | 7 |
| | | | | 13 | |
| | | | | O | 8 |
| | | | | W | 19 |
| | | | | 27 | |
| | | ZUID | | SPEL | 5 |
| | | H2 BT2 B9854 V86 | | | |

| | | | | | |
|---------------------------|--|--|--|--------------|-------------|
| bridgethuis@gmail.com | | Gever BridgeBox16 | | SPEL | 6 |
| | | NOORD | | RONDE | N018 |
| | | 964 2 863 AHVT92 | | BOX | 6 |
| WEST | | Gever | | N | 9 |
| A85 HVB98 B4 B84 | | OOST VT3 T764 VT975 5 | | Z | 15 |
| | | | | 24 | |
| | | | | O | 4 |
| | | | | W | 12 |
| | | | | 16 | |
| | | ZUID | | SPEL | 6 |
| | | HB72 A53 AH2 763 | | | |

| SPEL | SCORE | BridgeBox16 | | RONDE | BOX |
|--|---|---------------|----------------|-------|-----|
| 5 | 2020 © BridgeBox16 www.bridgethuis.info | N018 | 6 | | |
| Contract - Wie - Uitkomst - Resultaat | | Noord | Zuid | Fase | |
| Tafel 1. Nog niet gespeeld. | | Rob-Jaap | Chris-Ineke | A | |
| Tafel 2. 3Sa-1, West, KL 3, 50ptn, 93,75%, 6,25% | | Kees-Coby | Luci-Martha | A | |
| Tafel 3. 3Sa C, West, KL 3, -400ptn, 56,25%, 43,75% | | Ellen-Hermien | Nell-Thijs | A | |
| Tafel 4. 3Sch+2, West, Ru 6, -200ptn, 75%, 25% | | Toos1-Riet | Toos2-Engeline | A | |
| Tafel 5. 3Sa-1, West, KL 2, 50ptn, 93,75%, 6,25% | | Hans-Yolande | Noortje-Cees | A | |
| Tafel 1. 4Sch C, West, Ha 9, -420ptn, 18,75%, 81,25% | | Chris-Luc | Bert-Ineke | B | |
| Tafel 2. 2Sa+3, West, Ha 9, -210ptn, 50%, 50% | | Martin-Marijn | Hanneke-Cock | B | |
| Tafel 3. 3Sa+2, West, Ha 6, -460ptn, 0%, 100% | | Willy-Tonny | NellC-ThijsC | B | |
| Tafel 4. 3Sa-1, West, Ha 3, 50ptn, 87,5%, 12,5% | | Loek-KeesL | Peter-Kees | B | |
| Tafel 5. 4Sch C, Oost, Ha B, -420ptn, 18,75%, 81,25% | | Coen-Betske | Jan-Adri | B | |
















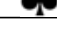
| SPEL | SCORE | BridgeBox16 | | RONDE | BOX |
|---|---|---------------|----------------|-------|-----|
| 6 | 2020 © BridgeBox16 www.bridgethuis.info | N018 | 6 | | |
| Contract - Wie - Uitkomst - Resultaat | | Noord | Zuid | Fase | |
| Tafel 1. 4HaX-3, West, KL A, 800ptn, 100%, 0% | | Rob-Jaap | Chris-Ineke | A | |
| Tafel 2. 2Sa+1, Zuid, Ha H, 150ptn, 22,22%, 77,78% | | Kees-Coby | Luci-Martha | A | |
| Tafel 3. 2Sa+1, Zuid, Ha H, 150ptn, 22,22%, 77,78% | | Ellen-Hermien | Nell-Thijs | A | |
| Tafel 4. 3Sa C, Zuid, Ha B, 400ptn, 55,56%, 44,44% | | Toos1-Riet | Toos2-Engeline | A | |
| Tafel 5. 2Sa+1, Zuid, Ha H, 150ptn, 22,22%, 77,78% | | Hans-Yolande | Noortje-Cees | A | |
| Tafel 1. 3SaX C, Zuid, Ha H, 550ptn, 88,89%, 11,11% | | Chris-Luc | Bert-Ineke | B | |
| Tafel 2. 3KL+3, Zuid, Sch A, 170ptn, 44,44%, 55,56% | | Martin-Marijn | Hanneke-Cock | B | |
| Tafel 3. 2Sa+1, Zuid, Ha H, 150ptn, 16,67%, 83,33% | | Willy-Tonny | NellC-ThijsC | B | |
| Tafel 4. 3Sa+1, Zuid, Ha H, 430ptn, 77,78%, 22,22% | | Loek-KeesL | Peter-Kees | B | |
| Tafel 5. 3Sa C, Zuid, Ha H, 400ptn, 61,11%, 38,89% | | Coen-Betske | Jan-Adri | B | |












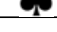



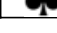
| | | | | | |
|---|--|---|--|-------|------|
| bridgethuis@gmail.com | | BridgeBox16 | | SPEL | 7 |
| | | NOORD | | RONDE | N018 |
| | |  | | BOX | 6 |
| WEST | | OOST | | N | 18 |
|  | |  | | Z | 12 |
| | | Gever | | 30 | |
| | | ZUID | | O | 0 |
| | |  | | W | 10 |
| | | | | 10 | |
| | | | | SPEL | 7 |

| | | | | | |
|-----------------------|--|---|--|-------|------|
| bridgethuis@gmail.com | | BridgeBox16 | | SPEL | 8 |
| | | NOORD | | RONDE | N018 |
| | |  | | BOX | 6 |
| Gever | | WEST | | N | 15 |
| | |  | | Z | 8 |
| | | OOST | | 23 | |
| | |  | | O | 9 |
| | | ZUID | | W | 8 |
| | |  | | 17 | |
| | | | | SPEL | 8 |

| SPEL | SCORE | BridgeBox16 | | RONDE | BOX |
|--|---|----------------|------|-------|-----|
| 7 | 2020 © BridgeBox16 www.bridgethuis.info | N018 | 6 | | |
| Contract - Wie - Uitkomst - Resultaat | | Noord | Zuid | Fase | |
| Tafel 1. 4Sch C, Noord,Ru 10, 620ptn, 33,33%, 66,67% | Rob-Jaap | Chris-Ineke | A | | |
| Tafel 2. 4Sch+1, Zuid,Ru A, 650ptn, 66,67%, 33,33% | Kees-Coby | Luci-Martha | A | | |
| Tafel 3. 4Sch+1, Zuid,Sch 8, 650ptn, 66,67%, 33,33% | Ellen-Hermien | Nell-Thijs | A | | |
| Tafel 4. 6SchX-1, Zuid,KL A, -200ptn, 5,56%, 94,44% | Toos1-Riet | Toos2-Engeline | A | | |
| Tafel 5. 4Sch+3, Zuid,Ru 6, 710ptn, 100%, 0% | Hans-Yolande | Noortje-Cees | A | | |
| Tafel 1. 5Sa-1, Zuid,Ru 6, -100ptn, 33,33%, 66,67% | Chris-Luc | Bert-Ineke | B | | |
| Tafel 2. 6SchX-1, Zuid,KL A, -200ptn, 16,67%, 83,33% | Martin-Marijn | Hanneke-Cock | B | | |
| Tafel 3. 4Sch+1, Zuid,Ha 8, 650ptn, 66,67%, 33,33% | Willy-Tonny | NellC-ThijsC | B | | |
| Tafel 4. 6SchX-2, Zuid,Ru 10, -500ptn, 0%, 100% | Loek-KeesL | Peter-Kees | B | | |
| Tafel 5. 5Sch+2, Zuid,Sch 4, 710ptn, 94,44%, 5,56% | Coen-Betske | Jan-Adri | B | | |

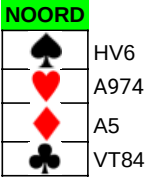
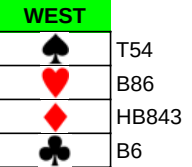

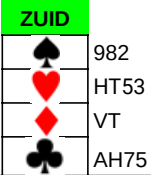
| SPEL | SCORE | BridgeBox16 | | RONDE | BOX |
|---|---|----------------|------|-------|-----|
| 8 | 2020 © BridgeBox16 www.bridgethuis.info | N018 | 6 | | |
| Contract - Wie - Uitkomst - Resultaat | | Noord | Zuid | Fase | |
| Tafel 1. 4Sch+1, Noord,Ha H, 450ptn, 88,89%, 11,11% | Rob-Jaap | Chris-Ineke | A | | |
| Tafel 2. 4Sch+1, Noord,Ha H, 450ptn, 88,89%, 11,11% | Kees-Coby | Luci-Martha | A | | |
| Tafel 3. 4Sch C, Noord,Ha H, 420ptn, 55,56%, 44,44% | Ellen-Hermien | Nell-Thijs | A | | |
| Tafel 4. 2Sch+2, Noord,Ha H, 170ptn, 16,67%, 83,33% | Toos1-Riet | Toos2-Engeline | A | | |
| Tafel 5. 4Sch C, Noord,Ru 2, 420ptn, 55,56%, 44,44% | Hans-Yolande | Noortje-Cees | A | | |
| Tafel 1. 4Sch C, Noord,Ha H, 420ptn, 55,56%, 44,44% | Chris-Luc | Bert-Ineke | B | | |
| Tafel 2. 2Sch+2, Noord,Ha V, 170ptn, 16,67%, 83,33% | Martin-Marijn | Hanneke-Cock | B | | |
| Tafel 3. 3Sch+1, Noord,Ha H, 170ptn, 16,67%, 83,33% | Willy-Tonny | NellC-ThijsC | B | | |
| Tafel 4. 4Sch+1, Noord,Ru 2, 450ptn, 88,89%, 11,11% | Loek-KeesL | Peter-Kees | B | | |
| Tafel 5. 3Sch+1, Noord,Ha H, 170ptn, 16,67%, 83,33% | Coen-Betske | Jan-Adri | B | | |

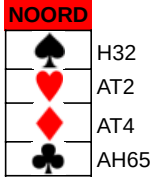

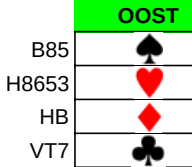

| | | | | | |
|--|--|--|--|--------------|-------------|
| bridgethuis@gmail.com | | Gever BridgeBox16 | | SPEL | 9 |
| | | NOORD | | | |
| | |  VT9652 | | RONDE | N018 |
| | |  BT6 | | | |
| | |  V762 | | BOX | 6 |
| | |  | | | |
| WEST | | OOST | | N | 5 |
|  HB74 | | A3  | | Z | 15 |
|  82 | | H9743  | | | 20 |
|  T432 | | AB9  | | O | 13 |
|  HT5 | | B83  | | W | 7 |
| | | | | | 20 |
| | | ZUID | | SPEL | 9 |
| | |  8 | | | |
| | |  AV5 | | | |
| | |  HV8765 | | | |
| | |  A94 | | | |

| | | | | | |
|---|--|---|--|--------------|-------------|
| bridgethuis@gmail.com | | Gever BridgeBox16 | | SPEL | 10 |
| | | NOORD | | | |
| | |  H3 | | RONDE | N018 |
| | |  V98 | | | |
| | |  H9543 | | BOX | 6 |
| | |  H82 | | | |
| WEST | | OOST | | N | 11 |
|  VBT82 | | A95  | | Z | 9 |
|  BT762 | | A54  | | | 20 |
|  AT | | V62  | | O | 12 |
|  T | | V543  | | W | 8 |
| | | | | | 20 |
| | | ZUID | | SPEL | 10 |
| | |  764 | | | |
| | |  H3 | | | |
| | |  B87 | | | |
| | |  AB976 | | | |

| SPEL | SCORE | BridgeBox16 | | RONDE | BOX |
|---|---|----------------|------|-------|-----|
| 9 | 2020 © BridgeBox16 www.bridgethuis.info | N018 | 6 | | |
| Contract - Wie - Uitkomst - Resultaat | | Noord | Zuid | Fase | |
| Tafel 1. 2Sch-1, Noord,Ha 3, -50ptn, 33,33%, 66,67% | Rob-Jaap | Chris-Ineke | A | | |
| Tafel 2. 3Sa-2, Noord,Ha 8, -100ptn, 5,56%, 94,44% | Kees-Coby | Luci-Martha | A | | |
| Tafel 3. 3Ru-2, Zuid,Ha 8, -100ptn, 5,56%, 94,44% | Ellen-Hermien | Nell-Thijs | A | | |
| Tafel 4. 3Ru-1, Zuid,Sch 8, -50ptn, 33,33%, 66,67% | Toos1-Riet | Toos2-Engeline | A | | |
| Tafel 5. 2Ru+1, Zuid,Ha 8, 110ptn, 55,56%, 44,44% | Hans-Yolande | Noortje-Cees | A | | |
| Tafel 1. 3Sa-4, Oost,Ru H, 400ptn, 100%, 0% | Chris-Luc | Bert-Ineke | B | | |
| Tafel 2. 3Sch C, Noord,Ru A, 140ptn, 66,67%, 33,33% | Martin-Marijn | Hanneke-Cock | B | | |
| Tafel 3. 3Ru-3, Zuid,Ha 8, -150ptn, 0%, 100% | Willy-Tonny | NellC-ThijsC | B | | |
| Tafel 4. 2Ha-2, Oost,Sch 8, 200ptn, 88,89%, 11,11% | Loek-KeesL | Peter-Kees | B | | |
| Tafel 5. 1Sa+2, Noord,Sch A, 150ptn, 77,78%, 22,22% | Coen-Betske | Jan-Adri | B | | |

| SPEL | SCORE | BridgeBox16 | | RONDE | BOX |
|---|---|----------------|------|-------|-----|
| 10 | 2020 © BridgeBox16 www.bridgethuis.info | N018 | 6 | | |
| Contract - Wie - Uitkomst - Resultaat | | Noord | Zuid | Fase | |
| Tafel 1. 1KL-1, Zuid,Ru A, -100ptn, 44,44%, 55,56% | Rob-Jaap | Chris-Ineke | A | | |
| Tafel 2. 4Sch-1, West,KL 2, 100ptn, 88,89%, 11,11% | Kees-Coby | Luci-Martha | A | | |
| Tafel 3. 4Ha-1, West,KL 2, 100ptn, 88,89%, 11,11% | Ellen-Hermien | Nell-Thijs | A | | |
| Tafel 4. 3Sch-1, West,Ru H, 100ptn, 88,89%, 11,11% | Toos1-Riet | Toos2-Engeline | A | | |
| Tafel 5. 2Ha+1, West,Sch H, -140ptn, 16,67%, 83,33% | Hans-Yolande | Noortje-Cees | A | | |
| Tafel 1. 4Ru-3, Noord,Sch A, -300ptn, 0%, 100% | Chris-Luc | Bert-Ineke | B | | |
| Tafel 2. 2Ha+2, West,Ru 4, -170ptn, 16,67%, 83,33% | Martin-Marijn | Hanneke-Cock | B | | |
| Tafel 3. 3Sch+1, West,KL 2, -170ptn, 16,67%, 83,33% | Willy-Tonny | NellC-ThijsC | B | | |
| Tafel 4. Pas, 0ptn, 66,67%, 33,33% | Loek-KeesL | Peter-Kees | B | | |
| Tafel 5. 3Sch C, West,Ru 3, -140ptn, 38,89%, 61,11% | Coen-Betske | Jan-Adri | B | | |

| | | | | | |
|---|--|---|--|-------|------|
| bridgethuis@gmail.com | | BridgeBox16 | | SPEL | 11 |
| | | NOORD | | RONDE | N018 |
| | |  | | BOX | 6 |
| WEST | | OOST | | N | 15 |
|  | |  | | Z | 12 |
| | | Gever | | O | 7 |
| | | ZUID | | W | 6 |
| | |  | | | 13 |
| | | | | SPEL | 11 |

| | | | | | |
|---|--|---|--|-------|------|
| bridgethuis@gmail.com | | BridgeBox16 | | SPEL | 12 |
| | | NOORD | | RONDE | N018 |
| | |  | | BOX | 6 |
| WEST | | OOST | | N | 18 |
|  | |  | | Z | 5 |
| | | Gever | | O | 10 |
| | | ZUID | | W | 7 |
| | |  | | | 17 |
| | | | | SPEL | 12 |

| SPEL | SCORE | BridgeBox16 | | RONDE | BOX |
|---------------------------------------|---|---------------|----------------|-------|-----|
| 11 | 2020 © BridgeBox16 www.bridgethuis.info | N018 | 6 | | |
| Contract - Wie - Uitkomst - Resultaat | | Noord | Zuid | Fase | |
| Tafel 1. | 2Sa-1, Noord, Ru 9, -50ptn, 18,75%, 81,25% | Rob-Jaap | Chris-Ineke | A | |
| Tafel 2. | 3Sa-1, Noord, Sch 3, -50ptn, 18,75%, 81,25% | Kees-Coby | Luci-Martha | A | |
| Tafel 3. | Nog niet gespeeld. | Ellen-Hermien | Nell-Thijs | A | |
| Tafel 4. | 3Sa C, Noord, Sch 3, 400ptn, 68,75%, 31,25% | Toos1-Riet | Toos2-Engeline | A | |
| Tafel 5. | 4Ha C, Zuid, Ru 3, 420ptn, 93,75%, 6,25% | Hans-Yolande | Noortje-Cees | A | |
| Tafel 1. | 3Sa+1, Noord, Sch 3, 430ptn, 100%, 0% | Chris-Luc | Bert-Ineke | B | |
| Tafel 2. | 6Ha-2, Noord, Sch A, -100ptn, 0%, 100% | Martin-Marijn | Hanneke-Cock | B | |
| Tafel 3. | 4Ha-1, Noord, Ru 2, -50ptn, 25%, 75% | Willy-Tonny | NellC-ThijsC | B | |
| Tafel 4. | 4Ha C, Noord, Ru 7, 420ptn, 75%, 25% | Loek-KeesL | Peter-Kees | B | |
| Tafel 5. | 4Ha C, Noord, Sch A, 420ptn, 75%, 25% | Coen-Betske | Jan-Adri | B | |

| SPEL | SCORE | BridgeBox16 | | RONDE | BOX |
|---------------------------------------|---|---------------|----------------|-------|-----|
| 12 | 2020 © BridgeBox16 www.bridgethuis.info | N018 | 6 | | |
| Contract - Wie - Uitkomst - Resultaat | | Noord | Zuid | Fase | |
| Tafel 1. | 1Sa+2, Noord, Ha 3, 150ptn, 94,44%, 5,56% | Rob-Jaap | Chris-Ineke | A | |
| Tafel 2. | 2Ha C, Oost, Ha V, -110ptn, 16,67%, 83,33% | Kees-Coby | Luci-Martha | A | |
| Tafel 3. | 2HaX C, Oost, KL 2, -470ptn, 0%, 100% | Ellen-Hermien | Nell-Thijs | A | |
| Tafel 4. | 1Sa+2, Noord, Ha 3, 150ptn, 94,44%, 5,56% | Toos1-Riet | Toos2-Engeline | A | |
| Tafel 5. | 4KL C, Noord, Ha 3, 130ptn, 72,22%, 27,78% | Hans-Yolande | Noortje-Cees | A | |
| Tafel 1. | 1KL+2, Noord, Ru B, 110ptn, 44,44%, 55,56% | Chris-Luc | Bert-Ineke | B | |
| Tafel 2. | 4HaX-3, Oost, KL 2, 500ptn, 88,89%, 11,11% | Martin-Marijn | Hanneke-Cock | B | |
| Tafel 3. | 3Sa C, Noord, Ha 3, 600ptn, 100%, 0% | Willy-Tonny | NellC-ThijsC | B | |
| Tafel 4. | 2Ha-1, Oost, KL 2, 50ptn, 22,22%, 77,78% | Loek-KeesL | Peter-Kees | B | |
| Tafel 5. | 3HaX-1, Oost, Sch 7, 100ptn, 33,33%, 66,67% | Coen-Betske | Jan-Adri | B | |

| | | | | | |
|---------------------------|--|-------------------------------|--|--------------|-------------|
| bridgethuis@gmail.com | | Gever BridgeBox16 | | SPEL | 13 |
| | | NOORD | | RONDE | N018 |
| | | AHT2 A32 A9753 V | | BOX | 6 |
| WEST | | OOST | | N | 17 |
| B HVBT87 HT8 A74 | | V643 4 6 HBT9865 | | Z | 3 |
| | | ZUID | | O | 6 |
| | | 9875 965 VB42 32 | | W | 14 |
| | | | | | 20 |
| | | | | SPEL | 13 |

| | | | | | |
|---------------------------|--|-------------------------------|--|--------------|-------------|
| bridgethuis@gmail.com | | Gever BridgeBox16 | | SPEL | 14 |
| | | NOORD | | RONDE | N018 |
| | | T9742 76 AB54 98 | | BOX | 6 |
| WEST | | OOST | | N | 5 |
| HB6 AB982 VT9 74 | | A853 VT53 H76 T5 | | Z | 15 |
| | | ZUID | | O | 9 |
| | | V H4 832 AHVB632 | | W | 11 |
| | | | | | 20 |
| | | | | SPEL | 14 |

| SPEL | SCORE | BridgeBox16 | | RONDE | BOX |
|--|--------------------|--|------|-------------|----------|
| 13 | 2020 © BridgeBox16 | www.bridgethuis.info | | N018 | 6 |
| Contract - Wie - Uitkomst - Resultaat | | Noord | Zuid | Fase | |
| Tafel 1. 5KL-1, Oost,Sch 9, 100ptn, 72,22%, 27,78% | Rob-Jaap | Chris-Ineke | A | | |
| Tafel 2. 3Ha+1, West,Sch A, -170ptn, 33,33%, 66,67% | Kees-Coby | Luci-Martha | A | | |
| Tafel 3. 3Ha+1, West,Sch A, -170ptn, 33,33%, 66,67% | Ellen-Hermien | Nell-Thijs | A | | |
| Tafel 4. 3Ha+1, West,Sch A, -170ptn, 33,33%, 66,67% | Toos1-Riet | Toos2-Engeline | A | | |
| Tafel 5. 5KLX-3, Oost,Ru V, 800ptn, 100%, 0% | Hans-Yolande | Noortje-Cees | A | | |
| Tafel 1. 3HaX+1, West,Sch A, -930ptn, 11,11%, 88,89% | Chris-Luc | Bert-Ineke | B | | |
| Tafel 2. 3Ha+1, West,Sch A, -170ptn, 55,56%, 44,44% | Martin-Marijn | Hanneke-Cock | B | | |
| Tafel 3. 3Ha+1, West,Sch A, -170ptn, 55,56%, 44,44% | Willy-Tonny | NellC-ThijsC | B | | |
| Tafel 4. 5RuX-4, Noord,Ru 5, -1100ptn, 0%, 100% | Loek-KeesL | Peter-Kees | B | | |
| Tafel 5. 4Ha C, West,Ru A, -620ptn, 22,22%, 77,78% | Coen-Betske | Jan-Adri | B | | |

| SPEL | SCORE | BridgeBox16 | | RONDE | BOX |
|---|--------------------|--|------|-------------|----------|
| 14 | 2020 © BridgeBox16 | www.bridgethuis.info | | N018 | 6 |
| Contract - Wie - Uitkomst - Resultaat | | Noord | Zuid | Fase | |
| Tafel 1. 4Ha-1, West,Sch 2, 50ptn, 72,22%, 27,78% | Rob-Jaap | Chris-Ineke | A | | |
| Tafel 2. 4Ha C, West,KL 9, -420ptn, 0%, 100% | Kees-Coby | Luci-Martha | A | | |
| Tafel 3. 4KL-1, Zuid,Ha A, -50ptn, 44,44%, 55,56% | Ellen-Hermien | Nell-Thijs | A | | |
| Tafel 4. 5Ha-1, West,KL 9, 50ptn, 72,22%, 27,78% | Toos1-Riet | Toos2-Engeline | A | | |
| Tafel 5. 3KL C, Zuid,Ha A, 110ptn, 88,89%, 11,11% | Hans-Yolande | Noortje-Cees | A | | |
| Tafel 1. 5KL-2, Zuid,Ha A, -100ptn, 38,89%, 61,11% | Chris-Luc | Bert-Ineke | B | | |
| Tafel 2. 3Ha+1, West,KL 9, -170ptn, 22,22%, 77,78% | Martin-Marijn | Hanneke-Cock | B | | |
| Tafel 3. 4Ha C, West,KL 8, -420ptn, 5,56%, 94,44% | Willy-Tonny | NellC-ThijsC | B | | |
| Tafel 4. 4KL-2, Zuid,Sch 6, -100ptn, 38,89%, 61,11% | Loek-KeesL | Peter-Kees | B | | |
| Tafel 5. 4KL-1, Zuid,Ha A, -50ptn, 61,11%, 38,89% | Coen-Betske | Jan-Adri | B | | |

| | | | | | |
|-----------------------|--|--------------|--|-------|------|
| bridgethuis@gmail.com | | BridgeBox16 | | SPEL | 15 |
| | | NOORD | | RONDE | N018 |
| | | | | BOX | 6 |
| WEST | | OOST | | N | 11 |
| | | | | Z | 7 |
| | | Gever | | O | 8 |
| | | ZUID | | W | 14 |
| | | | | | 22 |
| | | | | SPEL | 15 |

| | | | | | |
|-----------------------|--|--------------|--|-------|------|
| bridgethuis@gmail.com | | BridgeBox16 | | SPEL | 16 |
| | | NOORD | | RONDE | N018 |
| | | | | BOX | 6 |
| Gever | | OOST | | N | 9 |
| WEST | | | | Z | 7 |
| | | | | O | 14 |
| | | ZUID | | W | 10 |
| | | | | | 24 |
| | | | | SPEL | 16 |

| SPEL | SCORE | BridgeBox16 | | RONDE | BOX |
|--|---|----------------|------|-------|-----|
| 15 | 2020 © BridgeBox16 www.bridgethuis.info | N018 | 6 | | |
| Contract - Wie - Uitkomst - Resultaat | | Noord | Zuid | Fase | |
| Tafel 1. 4Ha+2, Oost,Ru 10, -480ptn, 64,29%, 35,71% | Rob-Jaap | Chris-Ineke | A | | |
| Tafel 2. 4Ha+2, West,Sch A, -480ptn, 64,29%, 35,71% | Kees-Coby | Luci-Martha | A | | |
| Tafel 3. 4Ha+2, West,Sch 10, -480ptn, 64,29%, 35,71% | Ellen-Hermien | Nell-Thijs | A | | |
| Tafel 4. 5Ha+1, West,Ru A, -480ptn, 64,29%, 35,71% | Toos1-Riet | Toos2-Engeline | A | | |
| Tafel 5. 5HaX+1, West,Sch A, -750ptn, 0%, 100% | Hans-Yolande | Noortje-Cees | A | | |
| Tafel 1. 4Ha+2, West,KL 9, -480ptn, 55,56%, 44,44% | Chris-Luc | Bert-Ineke | B | | |
| Tafel 2. 4Ha+2, West,Ru A, -480ptn, 55,56%, 44,44% | Martin-Marijn | Hanneke-Cock | B | | |
| Tafel 3. 4Ha+2, West,Ru A, -480ptn, 55,56%, 44,44% | Willy-Tonny | NellC-ThijsC | B | | |
| Tafel 4. 4Ha+2, West,Ru A, -480ptn, 55,56%, 44,44% | Loek-KeesL | Peter-Kees | B | | |
| Tafel 5. 4Ha+2, West,Ru A, -480ptn, 55,56%, 44,44% | Coen-Betske | Jan-Adri | B | | |

| SPEL | SCORE | BridgeBox16 | | RONDE | BOX |
|---|---|----------------|------|-------|-----|
| 16 | 2020 © BridgeBox16 www.bridgethuis.info | N018 | 6 | | |
| Contract - Wie - Uitkomst - Resultaat | | Noord | Zuid | Fase | |
| Tafel 1. 2Sa-1, West,Ha 2, 100ptn, 93,75%, 6,25% | Rob-Jaap | Chris-Ineke | A | | |
| Tafel 2. 4Sch C, Oost,Ha A, -620ptn, 6,25%, 93,75% | Kees-Coby | Luci-Martha | A | | |
| Tafel 3. 3Sch C, Oost,Ha A, -140ptn, 56,25%, 43,75% | Ellen-Hermien | Nell-Thijs | A | | |
| Tafel 4. 3Sch+1, Oost,Ha A, -170ptn, 31,25%, 68,75% | Toos1-Riet | Toos2-Engeline | A | | |
| Tafel 5. Nog niet gespeeld. | Hans-Yolande | Noortje-Cees | A | | |
| Tafel 1. 2Sa+1, West,KL V, -150ptn, 62,5%, 37,5% | Chris-Luc | Bert-Ineke | B | | |
| Tafel 2. 3Sch+1, Oost,Ha A, -170ptn, 37,5%, 62,5% | Martin-Marijn | Hanneke-Cock | B | | |
| Tafel 3. 2Sch+2, Oost,Ha A, -170ptn, 37,5%, 62,5% | Willy-Tonny | NellC-ThijsC | B | | |
| Tafel 4. 4Sch-1, Oost,Ha A, 100ptn, 93,75%, 6,25% | Loek-KeesL | Peter-Kees | B | | |
| Tafel 5. 4Sch C, Oost,Ha A, -620ptn, 6,25%, 93,75% | Coen-Betske | Jan-Adri | B | | |